

## P/N: 79306-0201

### Copyright

© 2019, FLIR Systems, Inc.

All rights reserved worldwide. Names and marks appearing herein are either registered trademarks or trademarks of FLIR Systems and/or its subsidiaries. All other trademarks, trade names or company names referenced herein are used for identification only and are the property of their respective owners.

### Document identity

Publ. No.: 79306-0201

Commit: 55335

Language:

Modified: 2019-02-07

Formatted: 2019-02-11

### Website

<http://www.flir.com>

### Customer support

<http://support.flir.com>

### Disclaimer

Specifications subject to change without further notice. Camera models and accessories subject to regional market considerations. License procedures may apply. Products described herein may be subject to US Export Regulations. Please refer to [exportquestions@flir.com](mailto:exportquestions@flir.com) with any questions.



|  |  |
|--|--|
| <b>Imaging and optical data</b>          |  |
| Infrared resolution                      | 464 × 348 pixels   |
| UltraMax (super-resolution) <sup>1</sup> | In FLIR Tools  |
| NETD                                     | <ul style="list-style-type: none"> <li>• &lt;30 mK, 42° @ +30°C (+86°F)</li> <li>• &lt;40 mK, 24° @ +30°C (+86°F)</li> <li>• &lt;50 mK, 14° @ +30°C (+86°F)</li> </ul>                     |
| Field of view                            | <ul style="list-style-type: none"> <li>• 42° × 32°</li> <li>• 24° × 18°</li> <li>• 14° × 10°</li> </ul>  |
| Minimum focus distance                   | <ul style="list-style-type: none"> <li>• 0.15 m (0.49 ft.), 42°</li> <li>• 0.15 m (0.49 ft.), 24°</li> <li>• 1.0 m (3.28 ft.), 14°</li> <li>• Macro mode 71 μm as option to 24°</li> </ul> |
| Minimum focus distance with MSX          | <ul style="list-style-type: none"> <li>• 0.65 m (2.13 ft.), 42°</li> <li>• 0.5 m (1.64 ft.), 24°</li> <li>• 1.0 m (3.28 ft.), 14°</li> </ul>   |
| Focal length                             | <ul style="list-style-type: none"> <li>• 10 mm (0.39 in.), 42°</li> <li>• 17 mm (0.67 in.), 24°</li> <li>• 29 mm (1.41 in.), 14°</li> </ul>  |
| Spatial resolution (IFOV)                | <ul style="list-style-type: none"> <li>• 1.66 mrad/pixel, 42°</li> <li>• 0.90 mrad/pixel, 24°</li> <li>• 0.52 mrad/pixel, 14°</li> </ul>   |
| Available extra lenses                   | <ul style="list-style-type: none"> <li>• 6° (service calibration required)</li> </ul>  |
| Lens identification                      | Automatic  |
| f number                                 | <ul style="list-style-type: none"> <li>• 1.1, 42°</li> <li>• 1.3, 24°</li> <li>• 1.5, 14°</li> </ul>   |
| Image frequency                          | 30 Hz  |

1. Not supported when using macro.

P/N: 79306-0201

© 2019, FLIR Systems, Inc.

#79306-0201; r. 55335;

| Imaging and optical data                |   |  |
|---|---|--|
| Focus                                   | <ul style="list-style-type: none"> <li>• Continuous LDM</li> <li>• One-shot LDM</li> <li>• One-shot contrast</li> <li>• Manual</li> </ul> |  |
| Field of view match                     | Yes   |  |
| Digital zoom                            | 1–6× continuous   |  |
| Detector data                           |   |  |
| Focal plane array/spectral range        | Uncooled microbolometer/7.5–14 μm   |  |
| Detector pitch                          | 17 μm   |  |
| Image presentation                      |   |  |
| Resolution                              | 640 × 480 pixels (VGA)  |  |
| Surface brightness (cd/m <sup>2</sup> ) | 400   |  |
| Screen size                             | 4 in.   |  |
| Viewing angle                           | 80°   |  |
| Color depth (bits)                      | 24  |  |
| Aspect ratio                            | 4:3   |  |
| Auto-rotation                           | Yes   |  |
| Touchscreen                             | Optically bonded PCAP   |  |
| Display technology                      | IPS   |  |
| Cover glass material                    | Dragontrail®  |  |
| Programmable buttons                    | 2   |  |
| Viewfinder                              | No  |  |
| Image adjustment                        | <ul style="list-style-type: none"> <li>• Automatic</li> <li>• Automatic maximum</li> <li>• Automatic minimum</li> <li>• Manual</li> </ul> |  |
| Image presentation modes                |   |  |
| Infrared image                          | Yes   |  |
| Visual image                            | Yes   |  |
| MSX                                     | Yes   |  |
| Picture in picture                      | Resizable and movable   |  |
| Gallery                                 | Yes   |  |
| Measurement                             |   |  |
| Camera temperature range                | Object temperature range  | Accuracy — for ambient temperature +15 to +35°C (+59 to +95°F) |
| –20 to +120°C (–4 to +248°F)            | –20 to +100°C (–4 to +212°F)  | ±2°C (±3.6°F)  |
|   | +100 to +120°C (+212 to +248°F)   | ±2%  |
| 0 to +650°C (+32 to +1202°F)            | 0 to +100°C (+32 to +212°F)   | ±2°C (±3.6°F)  |
|   | +100 to +650°C (+212 to +1202°F)  | ±2%  |
| +300 to +1500°C (+572 to +2732°F)       | +300 to +1500°C (+572 to +2732°F)   | ±2%  |

P/N: 79306-0201

© 2019, FLIR Systems, Inc.

#79306-0201; r. 55335;

|                                     |   |
|-------------------------------------|---|
| <b>Measurement analysis</b>         |   |
| Spotmeter                           | 3 in live mode  |
| Area                                | 3 in live mode  |
| Automatic hot/cold detection        | Automatic maximum/minimum markers within area   |
| Measurement presets                 | <ul style="list-style-type: none"> <li>No measurements</li> <li>Center spot</li> <li>Hot spot</li> <li>Cold spot</li> <li>User preset 1</li> <li>User preset 2</li> </ul> |
| Difference temperature              | Yes   |
| Reference temperature               | Yes   |
| Emissivity correction               | Yes, variable from 0.01 to 1.0 or selected from materials list  |
| Measurement corrections             | Yes   |
| External optics/windows correction  | Yes   |
| Screening                           | 0.5°C (0.9°F) accuracy at 37°C (98.6°F) with reference  |
| <b>Alarm</b>                        |   |
| Color alarm (isotherm)              | <ul style="list-style-type: none"> <li>Above</li> <li>Below</li> <li>Interval</li> <li>Condensation (moisture/humidity/dewpoint)</li> <li>Insulation</li> </ul>           |
| Measurement function alarm          | Audible/visual alarms (above/below) on any selected measurement function  |
| <b>Set-up</b>                       |   |
| Color palettes                      | <ul style="list-style-type: none"> <li>Iron</li> <li>Gray</li> <li>Rainbow</li> <li>Arctic</li> <li>Lava</li> <li>Rainbow HC</li> </ul>                                   |
| Setup commands                      | Local adaptation of units, language, date, and time formats   |
| Languages                           | 21  |
| <b>Service functions</b>            |   |
| Camera software update              | Use PC software FLIR Tools  |
| <b>Storage of images</b>            |   |
| Storage media                       | Removable memory: SD card   |
| Time lapse (Periodic image storage) | 10 seconds to 24 hours (infrared)   |
| Remote control operation            | <ul style="list-style-type: none"> <li>Using FLIR Tools (using USB cable)</li> <li>FLIR Tools Mobile (over Wi-Fi)</li> </ul>  |
| Image file format                   | Standard JPEG, measurement data included. Infrared-only mode  |
| <b>Image annotations</b>            |   |
| Voice                               | 60 seconds with built-in microphone and speaker (and via Bluetooth) on still images and video   |
| Text                                | Text from predefined list or soft keyboard on touchscreen   |



# FLIR T540 24° + 14° & 42°

P/N: 79306-0201

© 2019, FLIR Systems, Inc.

#79306-0201; r. 55335;

| <b>Image annotations</b>  |   |
|---|---|
| Visual image annotation   | Yes   |
| Image sketch  | Yes: on infrared only   |
| Sketch  | From touchscreen  |
| METERLiNK   | Wireless connection (Bluetooth) to:<br>FLIR meters with METERLiNK   |
| Area measurement information  | Yes   |
| GPS   | Location data automatically added to every still image and first frame in video from built-in GPS   |
| <b>Video recording in camera</b>  |   |
| Radiometric infrared-video recording  | RTRR (.csq)   |
| Non-radiometric infrared-video recording  | H.264 to memory card  |
| Visual video recording  | H.264 to memory card  |
| <b>Video streaming</b>  |   |
| Radiometric infrared-video streaming (compressed)                                 | Over UVC  |
| Non-radiometric video streaming (compressed: IR, MSX, visual, Picture in Picture) | <ul style="list-style-type: none"> <li>• H.264 (AVC) over RTSP (Wi-Fi)</li> <li>• MPEG4 over RTSP (Wi-Fi)</li> <li>• MJPEG over UVC and RTSP (Wi-Fi)</li> </ul> |
| Visual video streaming  | Yes   |
| <b>Digital camera</b>   |   |
| Resolution  | 5 MP with LED light   |
| Focus   | Fixed   |
| Field of view   | 53° x 41°   |
| Video lamp  | Built-in LED light  |
| <b>Laser pointer</b>  |   |
| Laser alignment   | Position is automatically displayed on the infrared image   |
| Laser distance meter  | Activated by dedicated button   |
| Laser   | Class 2, 0.05–40 m (0.16–131 ft.) ±1% of measured distance  |
| <b>Data communication interfaces</b>  |   |
| Interfaces  | USB 2.0, Bluetooth, Wi-Fi, DisplayPort  |
| METERLiNK/Bluetooth   | Communication with headset and external sensors   |
| Wi-Fi   | Peer to peer (ad hoc) or infrastructure (network)   |
| Audio   | Microphone and speaker for voice annotation of images   |
| USB   | USB Type-C: data transfer/video/power   |
| USB standard  | USB 2.0 High Speed  |
| Video out   | DisplayPort   |
| Video connector type  | DisplayPort over USB Type-C   |



# FLIR T540 24° + 14° & 42°

P/N: 79306-0201

© 2019, FLIR Systems, Inc.

#79306-0201; r. 55335;

|                                       |  |
|---------------------------------------|--|
| <b>Radio</b>                          |  |
| Operating frequency                   | Bluetooth + EDR/LE: 2402–2480 MHz<br>WLAN 2.4 GHz: 2412–2462 MHz<br>WLAN 5 GHz: 5150–5350 MHz (DFS: only slave mode)<br>Note that frequency band 5150–5350 MHz is for indoor use only, see national regulations.         |
| RF output (EIRP)                      | Bluetooth + EDR/LE: < 10 dBm<br>WLAN: < 17 dBm   |
| Antenna                               | Integrated PIFA antenna (gain: maximum 1.4 dBi)  |
| <b>Power system</b>                   |  |
| Battery type                          | Rechargeable Li-ion battery  |
| Battery voltage                       | 3.6 V  |
| Battery operating time                | > 4 hours at 25°C (68°F) with typical use  |
| Charging system                       | In camera (AC adapter or 12 V from a vehicle) or two-bay charger   |
| Charging time (using two-bay charger) | 3.5 h to 90% capacity, on-screen indicator   |
| Charging temperature                  | 0°C to +45°C (+32°F to +113°F), except for the Korean market: +10°C to +45°C (+50°F to +113°F)   |
| External power operation              | AC adapter 90–260 V AC (50/60 Hz) or 12 V from a vehicle (cable with standard plug, optional)  |
| Power management                      | Automatic shut-down and sleep mode   |
| <b>Environmental data</b>             |  |
| Operating temperature range           | –15 to +50°C (5–122°F)   |
| Storage temperature range             | –40 to +70°C (–40 to 158°F)  |
| Humidity (operating and storage)      | IEC 60068-2-30/24 hours, 95% relative humidity, 25–40°C (77–104°F)/2 cycles  |
| EMC                                   | <ul style="list-style-type: none"> <li>ETSI EN 301 489-1 (radio)</li> <li>ETSI EN 301 489-17</li> <li>EN 61000-6-2 (immunity)</li> <li>EN 61000-6-3 (emission)</li> <li>FCC 47 CFR Part 15 Class B (emission)</li> </ul> |
| Radio spectrum                        | <ul style="list-style-type: none"> <li>ETSI EN 300 228</li> <li>FCC Part 15.249</li> <li>RSS-247 Issue 2</li> </ul>  |
| Encapsulation                         | IP 54 (IEC 60529)  |
| Shock                                 | 25g (IEC 60068-2-27)   |
| Vibration                             | 2g (IEC 60068-2-6)   |
| Safety                                | EN/UL/CSA/PSE 60950-1  |
| <b>Physical data</b>                  |  |
| Weight (including battery)            | 1.3 kg (2.9 lb.)   |
| Size (L × W × H)                      | <ul style="list-style-type: none"> <li>Lens vertical: 140 × 201.3 × 84.1 mm (5.5 × 7.9 × 3.3 in.)</li> <li>Lens horizontal: 140 × 201.3 × 167.3 mm (5.5 × 7.9 × 6.6 in.)</li> </ul>                                      |
| Battery weight                        | 195 g (6.89 oz.)   |
| Battery size (L × W × H)              | 59 × 66 × 94 mm (2.3 × 2.6 × 3.7 in.)  |
| Tripod mounting                       | UNC ¼"-20  |

P/N: 79306-0201

© 2019, FLIR Systems, Inc.

#79306-0201; r. 55335;

| Physical data        |  |
|----------------------|--|
| Housing material     | PCABS with TPE, magnesium  |
| Color                | Black  |
| Warranty and service |  |
| Warranty             | <a href="http://www.flir.com/warranty/">http://www.flir.com/warranty/</a>  |
| Shipping information |  |
| Packaging, type      | Cardboard box  |
| Packaging, contents  | <ul style="list-style-type: none"> <li>• Accessory box I:               <ul style="list-style-type: none"> <li>◦ Power supply for battery charger</li> <li>◦ Power supply, 15 W/3 A</li> <li>◦ Printed documentation</li> <li>◦ SD card (8 GB)</li> <li>◦ USB 2.0 A to USB Type-C cable</li> <li>◦ USB Type-C to HDMI and PD adapter</li> <li>◦ USB Type-C to USB Type-C cable (USB 2.0 standard)</li> </ul> </li> <li>• Accessory box II:               <ul style="list-style-type: none"> <li>◦ Lens cap strap</li> <li>◦ Lens cleaning cloth</li> <li>◦ Neck strap</li> </ul> </li> <li>• Battery (2 ea)</li> <li>• Battery charger</li> <li>• Extra lens, 14°</li> <li>• Extra lens, 42°</li> <li>• Hard transport case</li> <li>• Infrared camera with lens</li> <li>• Lens cap, front</li> <li>• Lens cap, front and rear (only for extra lenses)</li> </ul> |
| Packaging, weight    | 6.4 kg (14.1 lb.)  |
| Packaging, size      | 500 × 190 × 370 mm (19.7 × 7.5 × 14.6 in.)   |
| EAN-13               | <ul style="list-style-type: none"> <li>• Sweden: 7332558013014</li> <li>• Estonia: 4743254003309</li> </ul>  |
| UPC-12               | 845188014704   |
| Country of origin    | Sweden and/or Estonia  |

### Supplies and accessories:

- T130337ACC; Calibration target
- T199588; Lens 14° + case
- T199589; Lens 24° + case
- T199590; Lens 42° + case
- T300095; Lens 6° with case
- T911630ACC; Power supply for camera, 15 W/3 A
- T911631ACC; USB 2.0 A to USB Type-C cable, 0.9 m
- T911633ACC; Power supply for battery charger
- T911705ACC; USB Type-C to USB Type-C cable (USB 2.0 standard), 1.0 m
- T911706ACC; Car adapter 12 V
- T911845ACC; USB Type-C to HDMI and PD adapter
- T911846ACC; USB 2.0 A to USB Type-C with Power supply
- T199300ACC; Battery
- T199610; Battery charger
- T199601; Hand strap and neck strap
- T199347ACC; Hard transport case
- T199609; Option, Macro mode 71/103 µm for 24°
- T300030; Option, No radio
- T198495; Pouch



## FLIR T540 24° + 14° & 42°

---

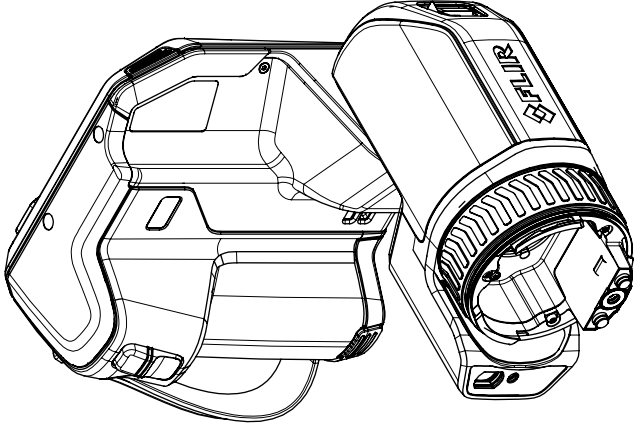
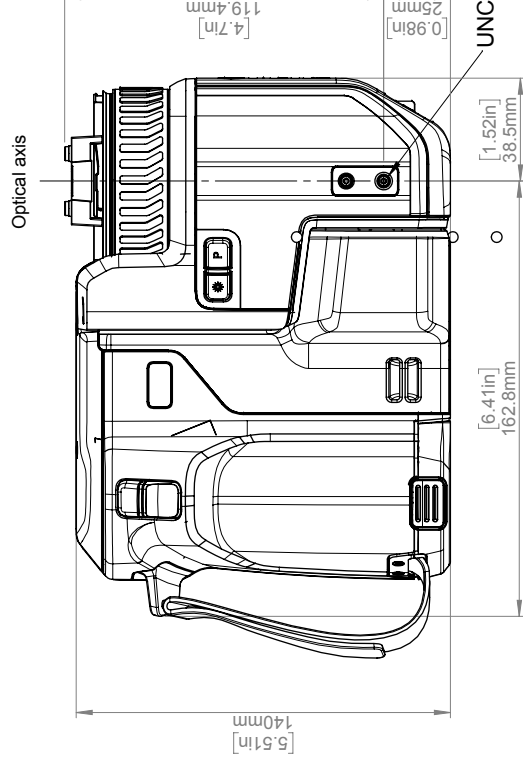
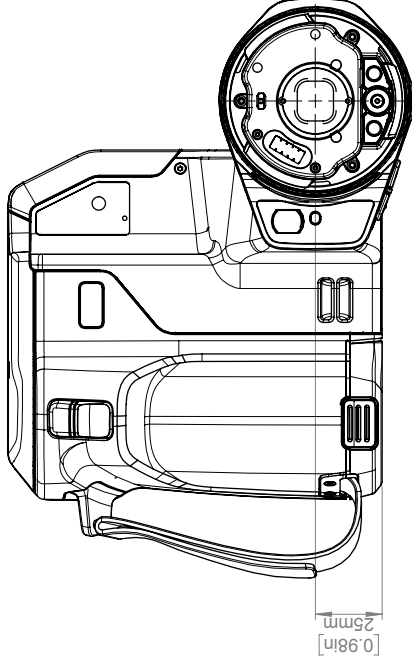
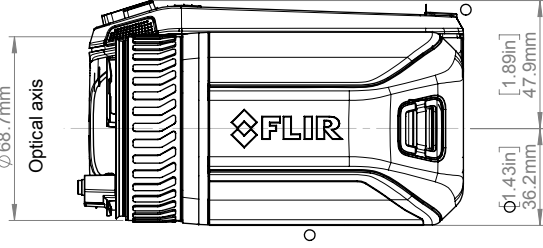
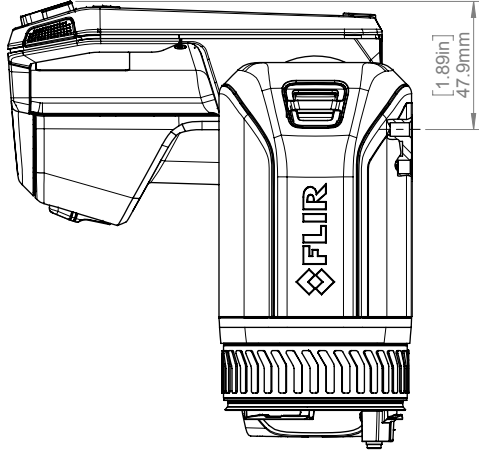
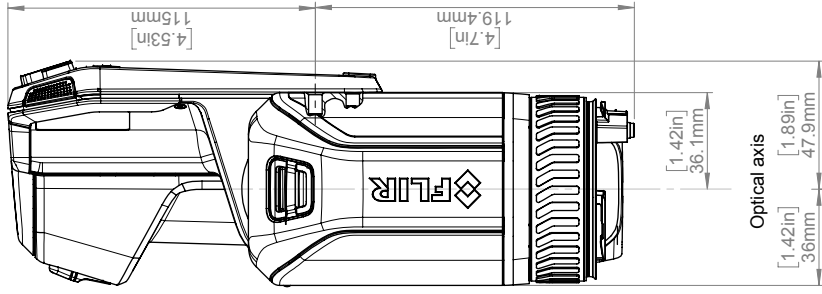
**P/N: 79306-0201**

© 2019, FLIR Systems, Inc.

#79306-0201; r. 55335;

- T197771ACC; Bluetooth Headset
- T198583; FLIR Tools+ (download card incl. license key)
- T198696; FLIR ResearchIR Max 4 (hardware sec. dev.)
- T199013; FLIR ResearchIR Max 4 (printed license key)
- T199043; FLIR ResearchIR Max 4 Upgrade (printed license key)
- INST-EW-0155; Extended Warranty 1 Year for A3xxf, T540, T600/bx, T610
- INST-EWGM-0165; Premium Service Package for T540, T600/bx, T610
- INST-GM-0150; General Maintenance Package for T540, T6xx

# Camera housing

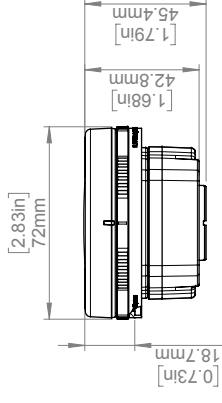
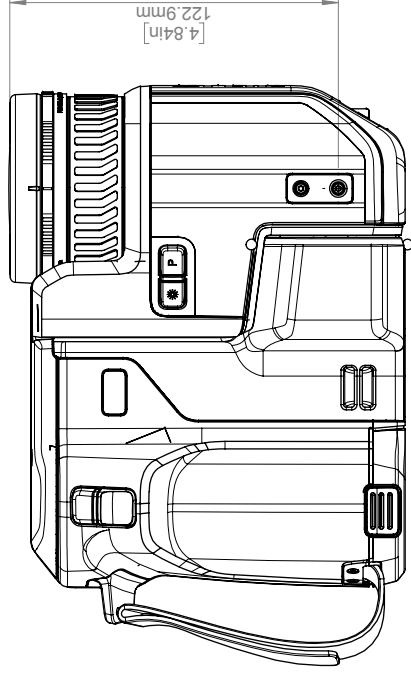
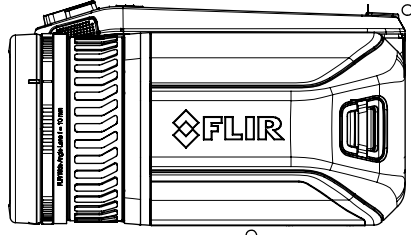
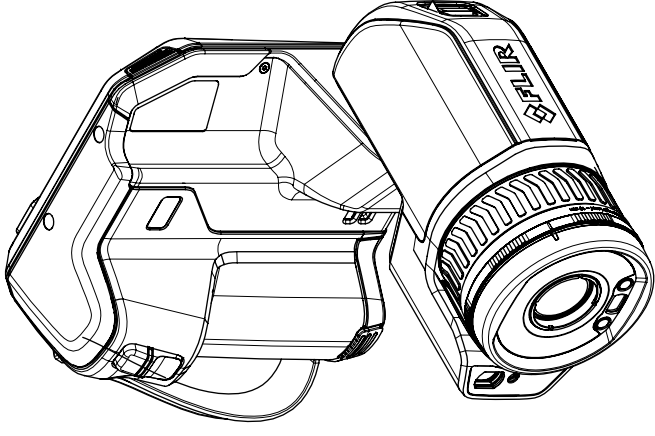
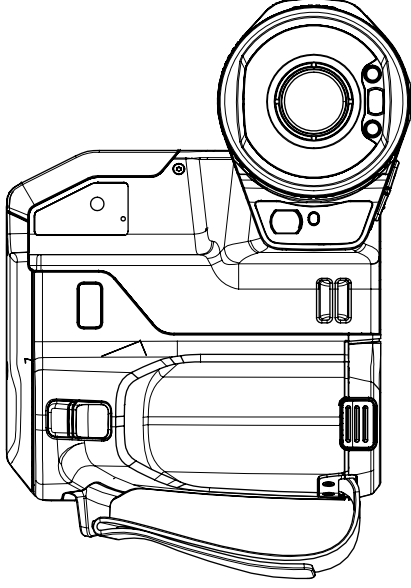
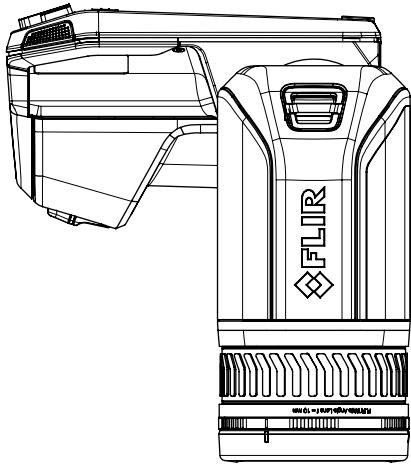


© 2016, FLIR Systems, Inc. All rights reserved worldwide. No part of this drawing may be reproduced, stored in a retrieval system, or transmitted in any form, or by any means, electronic, mechanical, photocopying, recording, or otherwise, without written permission from FLIR Systems, Inc. Specifications subject to change without further notice. Dimensional data is based on nominal values. License procedures may apply. Product may be subject to US Export Regulations. Please refer to exportquestions@flir.com with any questions. Diversion contrary to US law is prohibited.

|                            |            |       |   |          |                 |       |     |             |         |
|----------------------------|------------|-------|---|----------|-----------------|-------|-----|-------------|---------|
| Modified                   | 2017-02-17 | Check | - | Drawn by | R&D Instruments | Size  | A3  | FLIR        |         |
| Denomination               |            |       |   |          |                 | Scale | 1:2 | Sheet       | 1(3)    |
|                            |            |       |   |          |                 |       |     | Drawing No. | T129991 |
|                            |            |       |   |          |                 |       |     | Rev         | A       |
| Basic dimensions FLIR T5xx |            |       |   |          |                 |       |     |             |         |



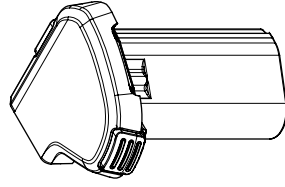
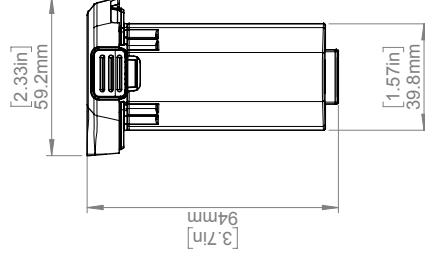
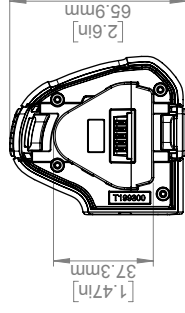
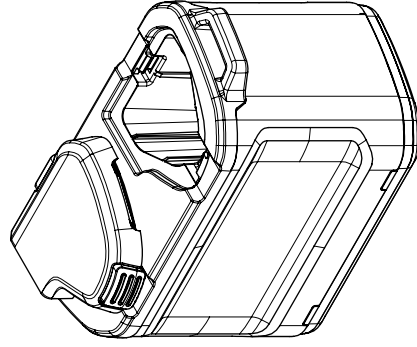
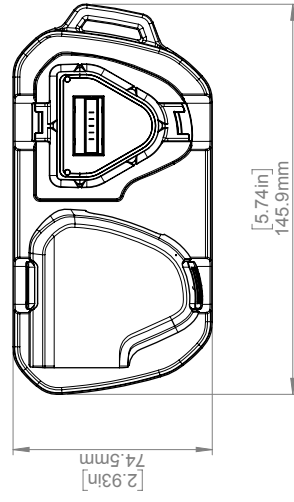
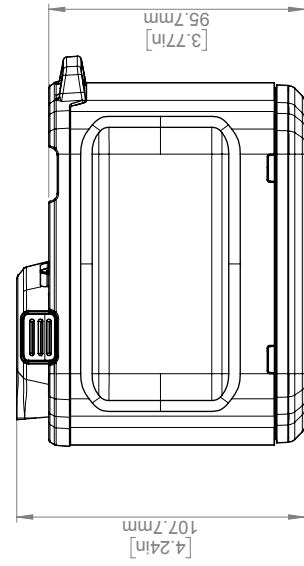
Camera with Lens IR f=10mm (42°)  
 Camera with Lens IR f=17mm (24°)  
 Camera with Lens IR f=29mm (14°)



For additional dimensions see page 1

|                            |       |                             |                        |
|----------------------------|-------|-----------------------------|------------------------|
| Modified<br>2017-02-17     | Check | Drawn by<br>R&D Instruments | FLIR                   |
| Denomination               |       | Size<br>A3                  | Sheet<br>2(3)          |
| Basic dimensions FLIR T5xx |       |                             | Rev<br>A               |
|                            |       | Scale<br>1:5                | Drawing No.<br>T129991 |

# Battery Charger



|              |                            |       |   |          |                 |
|--------------|----------------------------|-------|---|----------|-----------------|
| Modified     | 2017-02-17                 | Check | - | Drawn by | R&D Instruments |
| Denomination | Basic dimensions FLIR T5xx |       |   |          |                 |
| Size         | A3                         |       |   |          |                 |
| Scale        | 1:5                        |       |   |          |                 |
| Sheet        | 3(3)                       |       |   |          |                 |
| Rev          | T129991                    |       |   |          |                 |





February 2, 2019 Täby, Sweden

AQ320246

### CE Declaration of Conformity – EU Declaration of Conformity

Product: FLIR T5XX-, T8XX- and GF7X-series

Name and address of the manufacturer:

FLIR Systems AB

PO Box 7376

SE-187 15 Täby, Sweden

This declaration of conformity is issued under the sole responsibility of the manufacturer.

The object of the declaration: FLIR T5XX-, T8XX- and GF7X-series (Product Model Name FLIR-T8210).

The object of the declaration described above is in conformity with the relevant Union harmonisation legislation:

#### Directives:

|           |             |  |
|-----------|-------------|--|
| Directive | 2012/19/EU  | Waste electrical and electric equipment                |
| Directive | 2014/53/EU  | Radio Equipment Directive (RED)                        |
| Directive | 1999/519/EC | Limitation of exposure to electromagnetic fields (SAR) |
| Directive | 2011/65/EU  | RoHS and 2015/830/EU                                   |

#### Standards:

|            |  |  |
|------------|--|--|
| EMC Radio: | ETSI EN 301 489-1 + -17  | EMC for radio, broadband data transmission                           |
| Emission:  | EN 61000-6-3/A1:2011   | EMC – Generic standards  |
| Immunity:  | EN 61000-6-2:2005  | Electromagnetic Compability Generic                                  |
|            | EN 301489-1:2016 v2.1.0  | ERM – EMC for radio equipment  |
|            | EN 301489-17:2012 v2.2.1   | ERM – EMC Wideband data  |
| Laser:     | EN 60825-1   | Safety of laser products   |
| Radio:     | ETSI EN 300 328 v2.1.1   | Harmonized EN covering essential requirements of the R&TTE Directive |
|            | ETSI EN 301 893 v.2.1.1  | 5GHz WLAN  |
|            | EN 303 413 v1.1.0  | Radio Spectrum Efficiency (gps)                                      |
| SAR:       | EN 50566:2013/AC:2014  | Handheld and body mounted wireless                                   |
| Safety:    | EN 62209-02:2010   | Handheld and body mounted wireless                                   |
|            | IEC 60950-1:2005+A1:2009+A2:2013 EN 60950-1:2006+A11:2009+AC:2011+A12:2011 | Information technology equipment                                     |
| RoHS:      | EN 50581:2012  | Technical documentation  |

**FLIR Systems AB**  
Quality Assurance

Lea Dabiri  
Quality Manager