

P/N: 72003-0303

Copyright

© 2017, FLIR Systems, Inc.

All rights reserved worldwide. Names and marks appearing herein are either registered trademarks or trademarks of FLIR Systems and/or its subsidiaries. All other trademarks, trade names or company names referenced herein are used for identification only and are the property of their respective owners.

Document identity

Publ. No.: 72003-0303

Release:

Commit: 43546

Language: en-US

Modified: 2017-06-28

Formatted: 2017-09-15

Website

<http://www.flir.com>

Customer support

<http://support.flir.com>

Disclaimer

Specifications subject to change without further notice. Camera models and accessories subject to regional market considerations. License procedures may apply. Products described herein may be subject to US Export Regulations. Please refer to exportquestions@flir.com with any questions.



Imaging and optical data	
NETD	100 mK
Field of view	41° × 31°
Minimum focus distance	<ul style="list-style-type: none"> Thermal: 0.15 m (0.49 ft.) MSX: 1.0 m (3.3 ft.)
Focal length	1.54 mm (0.061 in.)
Spatial resolution (IFOV)	11 mrad
F-number	1.1
Image frequency	9 Hz
Focus	Focus free
Detector data	
Focal Plane Array	Uncooled microbolometer
Spectral range	7.5–14 μm
Detector pitch	17 μm
IR sensor size	80 × 60
Image presentation	
Display (color)	<ul style="list-style-type: none"> 3.0 in. 320 × 240 pixels
Display, aspect ratio	4:3
Auto orientation	Yes
Touch screen	Yes, capacitive
Image adjustment (alignment calibration)	Yes
Image presentation modes	
Infrared image	Yes
Visual image	Yes
MSX	Yes
Gallery	Yes
Picture in Picture	IR area on visual image



FLIR C3 (incl. Wi-Fi)

P/N: 72003-0303

© 2017, FLIR Systems, Inc.

#72003-0303; r. /43546; en-US

Measurement	
Object temperature range	-10°C to +150°C (14 to 302°F)
Accuracy	±2°C (±3.6°F) or 2%, whichever is greater, at 25°C (77°F) nominal.
Measurement analysis	
Spotmeter	On/off
Area	Box with max./min.
Emissivity correction	Yes; matt/semi-matt/semi-glossy + custom value
Measurements correction	<ul style="list-style-type: none">EmissivityReflected apparent temperature
Set-up	
Color palettes	<ul style="list-style-type: none">IronRainbowRainbow HCGray
Set-up commands	Local adaptation of units, language, date and time formats
Languages	Arabic, Czech, Danish, Dutch, English, Finnish, French, German, Greek, Hungarian, Italian, Japanese, Korean, Norwegian, Polish, Portuguese, Russian, Simpl. Chinese, Spanish, Swedish, Trad. Chinese, Turkish.
Lamp	
Output power	0.85 W
Field of view	60°
Service functions	
Camera software update	Using FLIR Tools
Storage of images	
Storage media	Internal memory store at least 500 sets of images
Image file format	<ul style="list-style-type: none">Standard JPEG14-bit measurement data included
Video streaming	
Non-radiometric IR video streaming	Yes
Visual video streaming	Yes
Digital camera	
Digital camera	640 × 480 pixels
Digital camera, focus	Fixed focus
Data communication interfaces	
Wi-Fi	Peer-to-peer (ad hoc) or infrastructure (network)
USB, connector type	USB Micro-B: Data transfer to and from PC
USB, standard	USB 2.0



FLIR C3 (incl. Wi-Fi)

P/N: 72003-0303

© 2017, FLIR Systems, Inc.

#72003-0303; r. /43546; en-US

Radio	
Wi-Fi	<ul style="list-style-type: none">• Standard: 802.11 b/g/n• Frequency range:<ul style="list-style-type: none">◦ 2400–2480 MHz◦ 5150–5260 MHz• Max. output power: 15 dBm
Power system	
Battery type	Rechargeable Li-ion polymer battery
Battery voltage	3.7 V
Battery operating time	2 h
Charging system	Charged inside the camera
Charging time	1.5 h
External power operation	<ul style="list-style-type: none">• AC adapter, 90–260 VAC input• 5 V output to camera
Power management	Automatic shut-down
Environmental data	
Operating temperature range	–10°C to +50°C (14 to 122°F)
Storage temperature range	–40°C to +70°C (–40 to 158°F)
Humidity (operating and storage)	IEC 60068-2-30/24 h 95% relative humidity +25°C to +40°C (+77°F to +104°F) / 2 cycles
Relative humidity	95% relative humidity +25°C to +40°C (+77°F to +104°F) non condensing
EMC	<ul style="list-style-type: none">• WEEE 2012/19/EC• RoHS 2011/65/EC• C-Tick• EN 61000-6-3• EN 61000-6-2• FCC 47 CFR Part 15 Class B
Radio spectrum	<ul style="list-style-type: none">• ETSI EN 300 328• FCC 47 CSR Part 15• RSS-247 Issue 2
Magnetic fields	EN 61000-4-8
Battery regulations	UL 1642
Encapsulation	Camera housing and lens: IP 40 (IEC 60529)
Shock	25 g (IEC 60068-2-27)
Vibration	2 g (IEC 60068-2-6)
Drop	2 m (6.6 ft.)
Physical data	
Weight (incl. Battery)	0.13 kg (0.29 lb.)
Size (L × W × H)	125 × 80 × 24 mm (4.9 × 3.1 × 0.94 in.)
Tripod mounting	No
Housing material	<ul style="list-style-type: none">• PC and ABS, partially covered with TPE• Aluminum
Color	Black and gray



FLIR C3 (incl. Wi-Fi)

P/N: 72003-0303

© 2017, FLIR Systems, Inc.

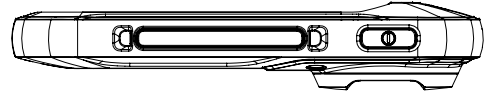
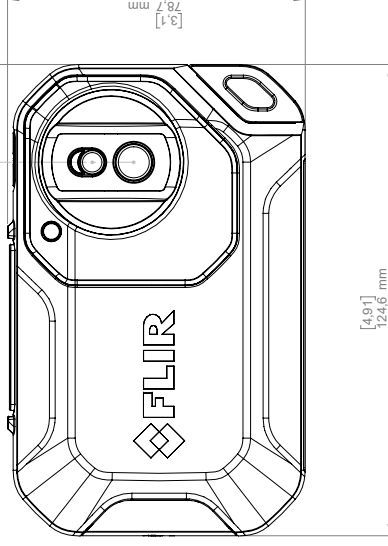
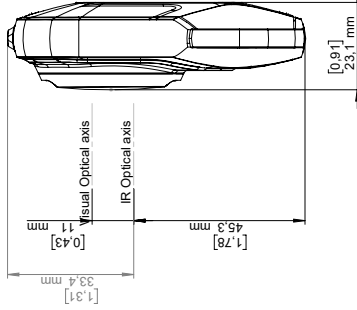
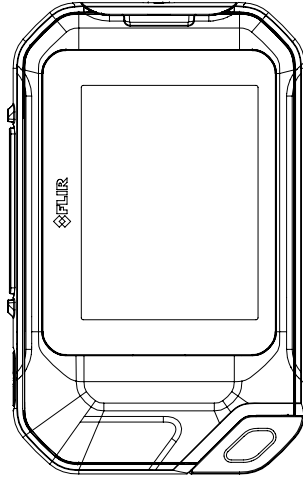
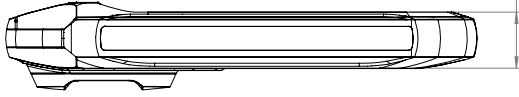
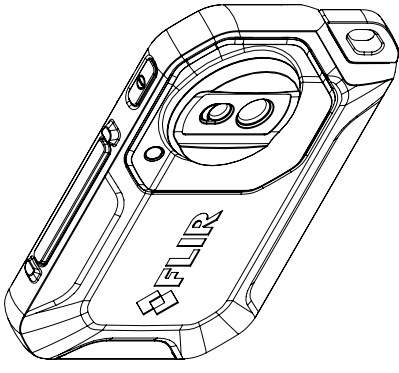
#72003-0303; r. /43546; en-US

Shipping information	
Packaging, type	Cardboard box
List of contents	<ul style="list-style-type: none">• Infrared camera• Lanyard• Pouch• Power supply/charger with EU, UK, US, CN and Australian plugs• Printed documentation• Tripod mount• USB cable
Packaging, weight	TBD
Packaging, size	175 × 110 × 105 mm (6.9 × 4.3 × 4.1 in.)
EAN-13	4743254002845
UPC-12	845188014094
Country of origin	Estonia

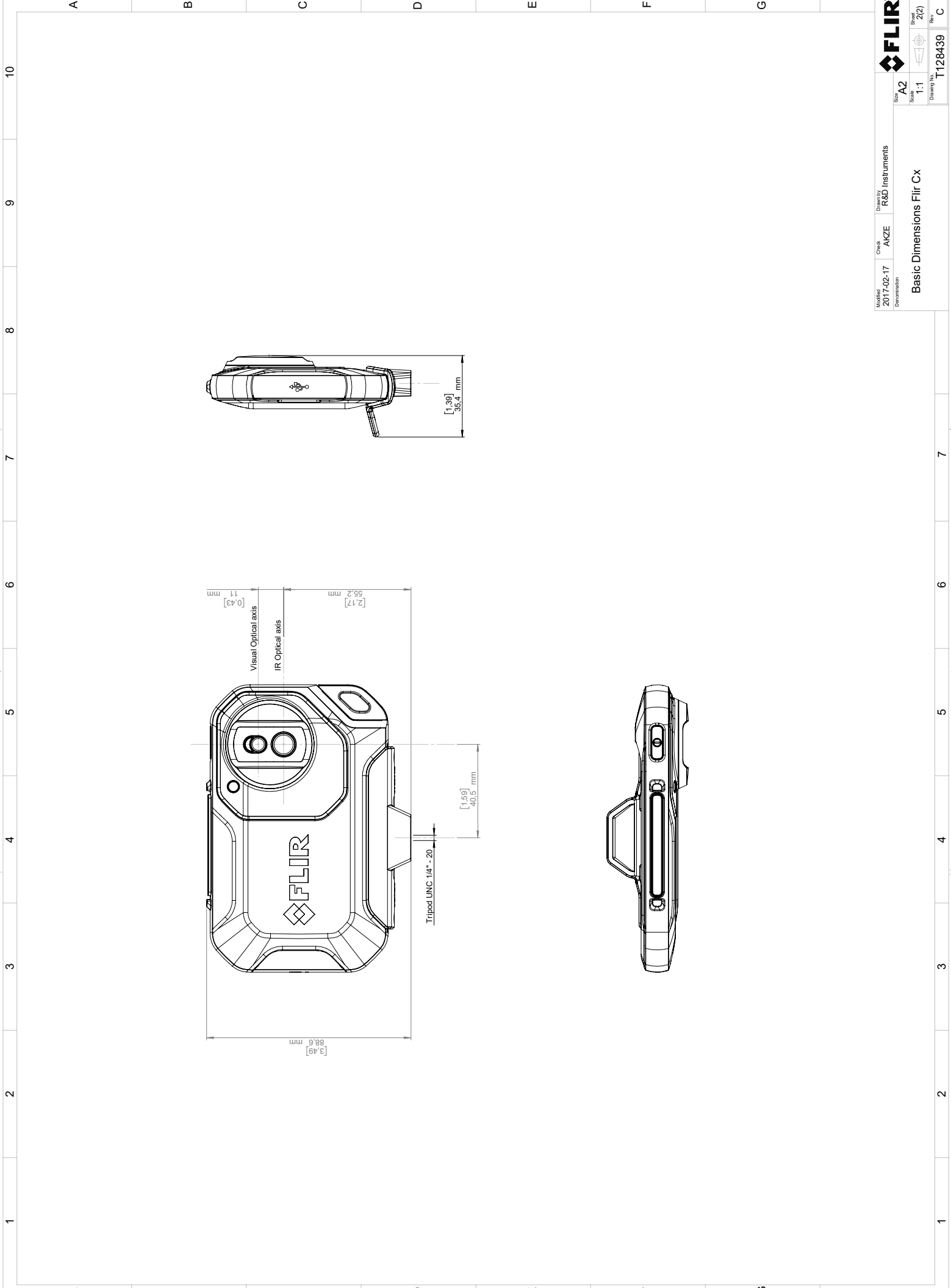
Supplies & accessories:

- T198532; Car charger
- T198534; Power supply USB-micro
- T198533; USB cable Std A <-> Micro B
- T199564; Tripod adapter
- T130129ACC; Pouch
- T198584; FLIR Tools
- T198583; FLIR Tools+ (download card incl. license key)
- T199233; FLIR Atlas SDK for .NET
- T199234; FLIR Atlas SDK for MATLAB

Camera with build-in IR lens f=1,54mm

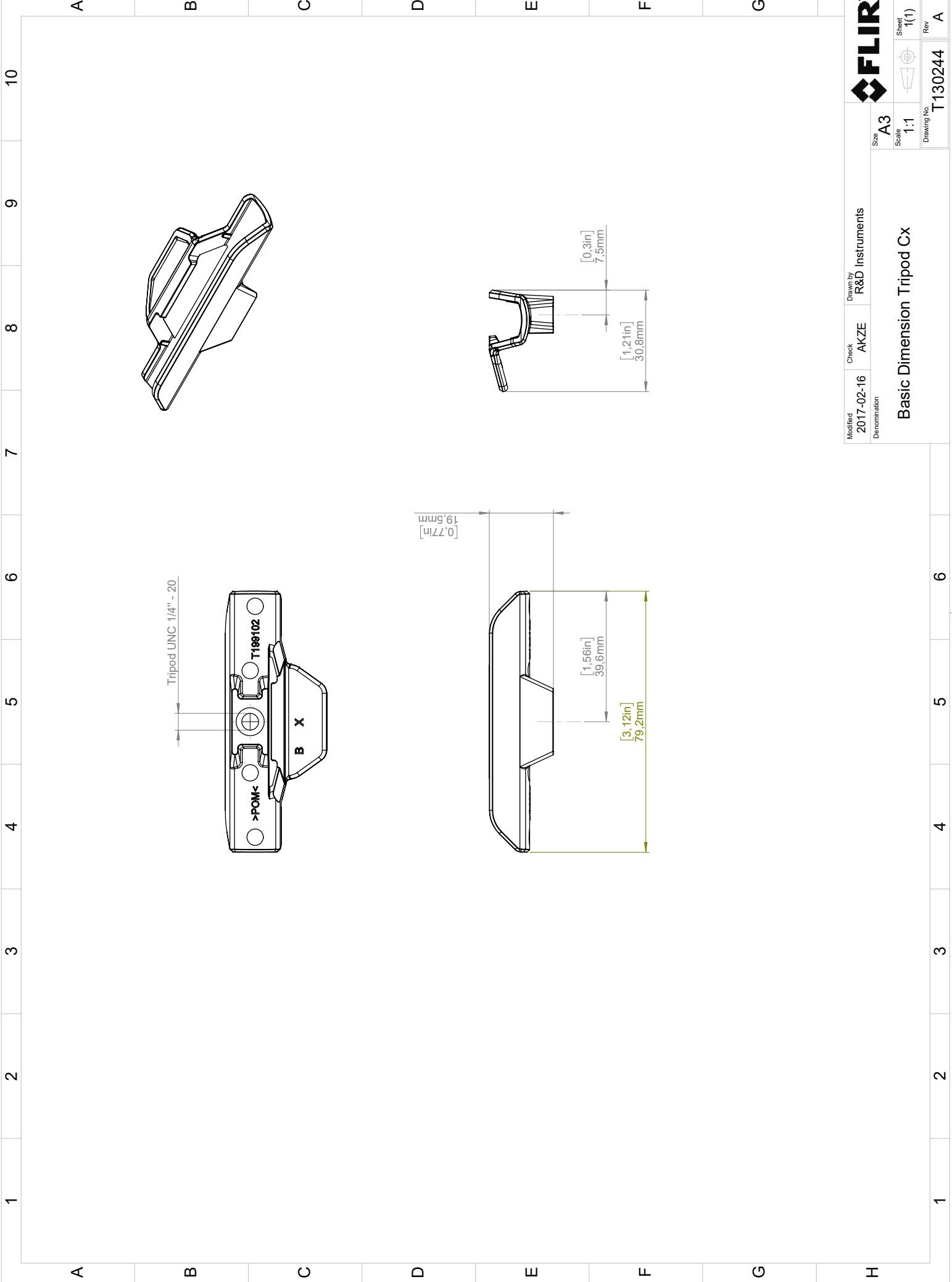


Modified 2017-02-17	Check AKZE	Drawn by R&D Thermography	Size A2	Sheet 1(2)
Denomination Basic Dimensions Flir Cx			Drawing No. 1128439	Size C



Modified 2017-02-17	Check AKZE	Drawn by R&D Instruments	Size A2
Denomination			Scale 1:1
			Sheet 2(2)
			Drawing No. T128439
			Rev. C

© 2012 FLIR Systems, Inc. All rights reserved worldwide. No part of this drawing may be reproduced, stored in a retrieval system, or transmitted in any form, or by any means, electronic, mechanical, photocopying, recording, or otherwise, without written permission from FLIR Systems, Inc. Specifications subject to change without further notice. Dimensional data is based on nominal values. Products may be subject to regional market considerations. License procedures may apply. Product may be subject to US Export Regulations. Please refer to exportquestions@flir.com with any questions. Diversion contrary to US law is prohibited.



Modified 2017-02-16 Denomination	Check AKZE	Drawn by R&D Instruments	FLIR
Basic Dimension Tripod Cx			Size A3
			Sheet 1(1)
			Rev A
			Drawing No T130244



The World's Sixth Sense™

March 03, 2017 Täby, Sweden

AQ320226

CE Declaration of Conformity – EU Declaration of Conformity

Product: FLIR CX -series

Name and address of the manufacturer:

FLIR Systems AB

PO Box 7376

SE-187 15 Täby, Sweden

This declaration of conformity is issued under the sole responsibility of the manufacturer.

The object of the declaration: FLIR CX -series.

The object of the declaration described above is in conformity with the relevant Union harmonisation legislation:

Directives:

Directive	2014/30/EU	Electromagnetic Compatibility
Directive	2012/19/EU	Waste electrical and electric equipment
Directive:	2011/65/EU	RoHS
Directive	1999/5/EC	Radio and Telecommunications Terminal Equipment

Standards:

Emission:	EN 61000-6-3:2007	Electromagnetic compatibility Emission
	EN 55022:2010/AC:2011	Information Tech Equipment Radio disturbance characteristics
Immunity:	EN 61000-6-2	Electromagnetic compatibility Immunity
	EN 55024:2010	Information Tech Equipment Immunity characteristics
Restricted substances (RoHS):	EN 50581:2012	Technical documentation
Radio:	ETSI EN 300 328	Harmonized EN covering essential requirements of the R&TTE Directive
	ETSI EN 301 893	

FLIR Systems AB

Quality Assurance

Lea Dabiri

Quality Manager